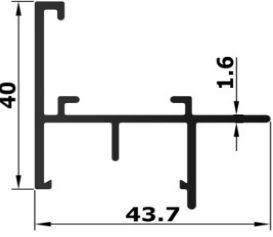
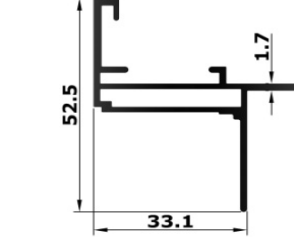
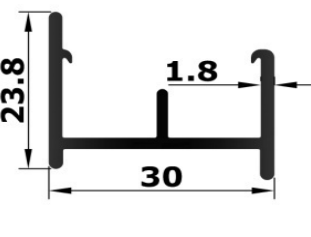
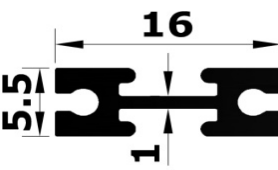
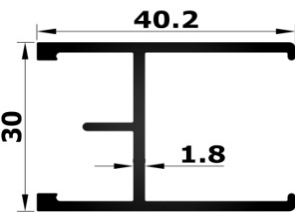
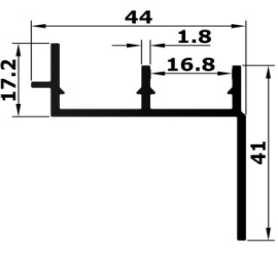
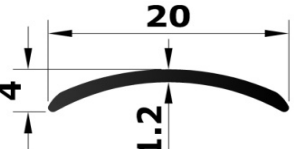
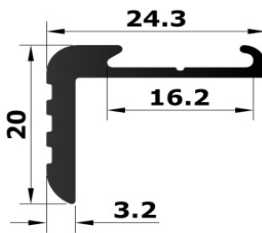
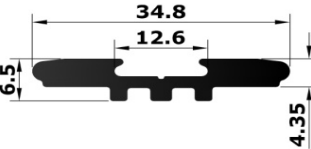
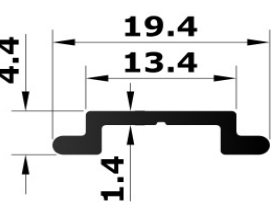
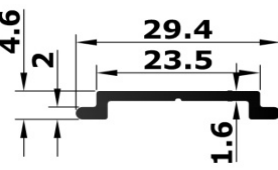
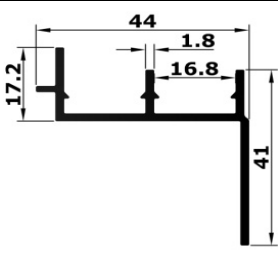
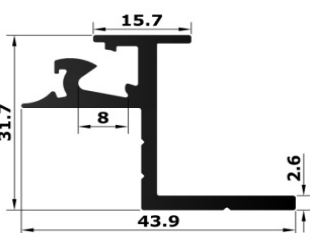
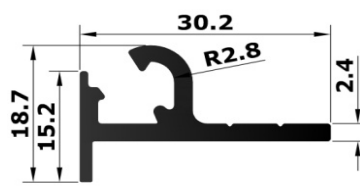
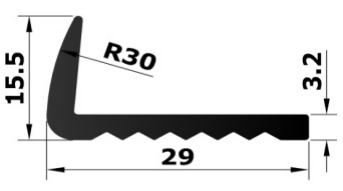


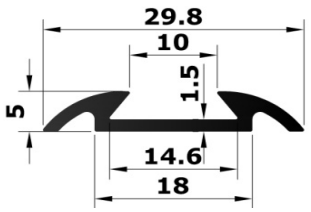
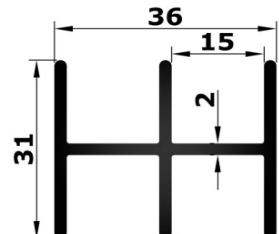
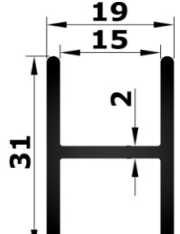
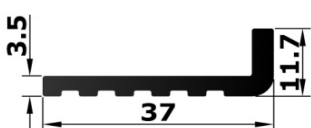
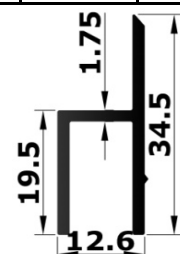
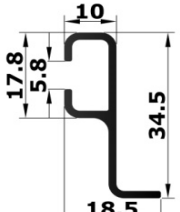
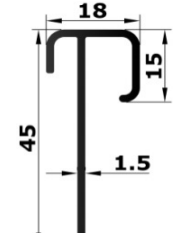
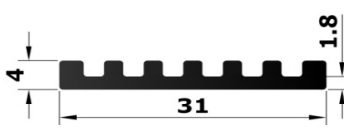
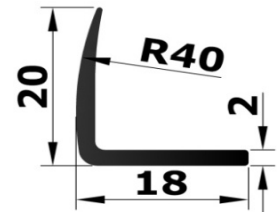
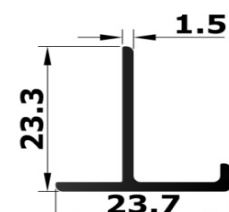
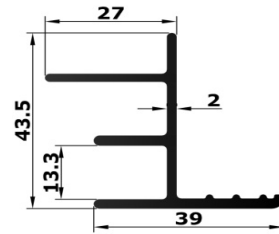
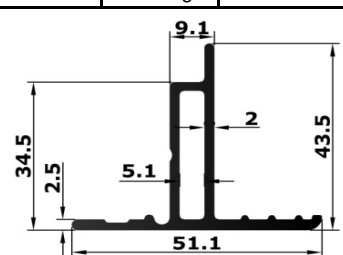
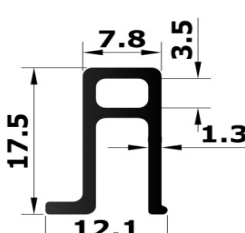
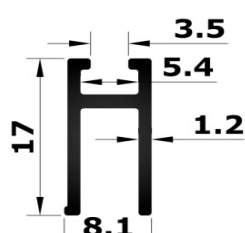
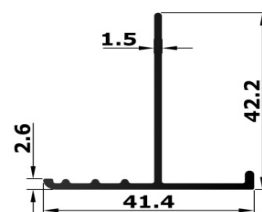
## TRANSPORT WINDOW

		
610-0001 WT./R/kg/M 0.480 - 0.630	610-0002 WT./R/kg/M 0.530 - 0.680	610-0003 WT./R/kg/M 0.330 - 0.415
		
610-0009 WT./R/kg/M 0.120 - 0.160	610-0010 WT./R/kg/M 0.520 - 0.650	610-0011 WT./R/kg/M 0.480 - 0.580
		
610-0012 WT./R/kg/M 0.058 - 0.079	610-0013 WT./R/kg/M 0.240 - 0.290	610-0014 WT./R/kg/M 0.330 - 0.375
		
610-0015 WT./R/kg/M 0.090 - 0.110	610-0016 WT./R/kg/M 0.140 - 0.170	610-0017 WT./R/kg/M 0.500 - 0.570
		
610-0018 WT./R/kg/M 0.580 - 0.680	610-0019 WT./R/kg/M 0.330 - 0.400	610-0020 WT./R/kg/M 0.270 - 0.320

All dimensions are in mm.

Cat 2022-R1

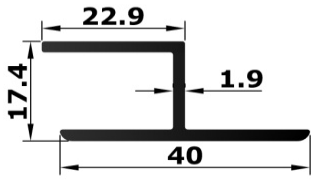
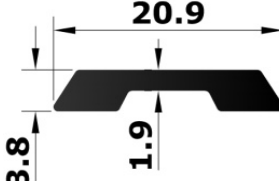
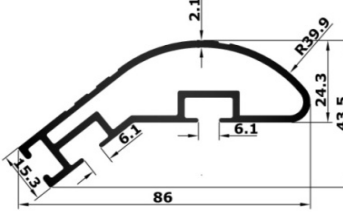
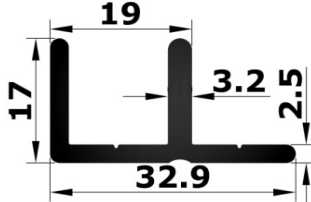
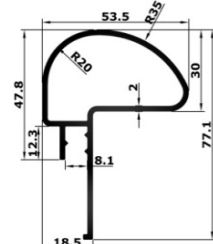
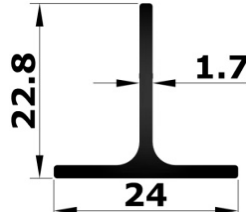
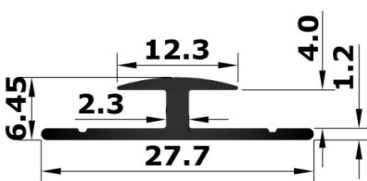
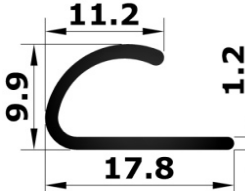
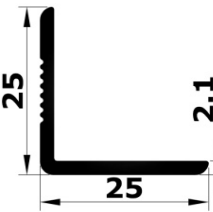
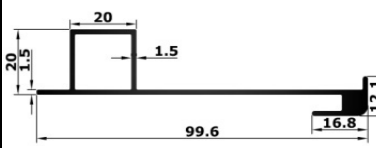
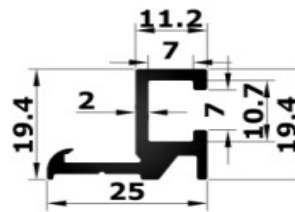
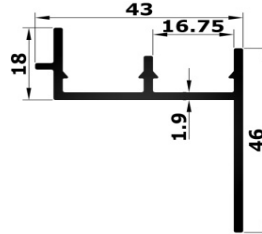
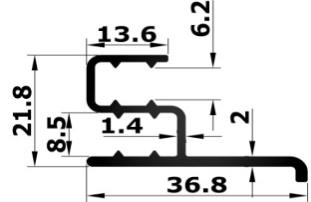
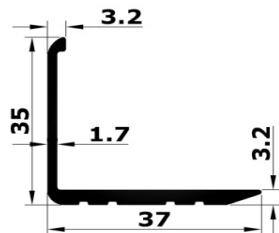
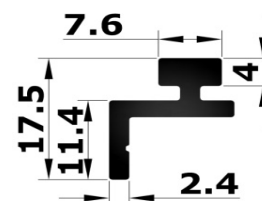
## TRANSPORT WINDOW

		
610-0021 WT./R/kg/M 0.160 - 0.200	610-0022 WT./R/kg/M 0.600 - 0.710	610-0023 WT./R/kg/M 0.370 - 0.445
		
610-0024 WT./R/kg/M 0.360 - 0.405	610-0025 WT./R/kg/M 0.265 - 0.320	610-0026 WT./R/kg/M 0.240 - 0.300
		
610-0027 WT./R/kg/M 0.290 - 0.365	610-0028 WT./R/kg/M 0.225 - 0.270	610-0029 WT./R/kg/M 0.150 - 0.185
		
610-0030 WT./R/kg/M 0.170 - 0.215	610-0031 WT./R/kg/M 0.660 - 0.730	610-0032 WT./R/kg/M 0.690 - 0.770
		
610-0033 WT./R/kg/M 0.150 - 0.195	610-0034 WT./R/kg/M 0.120 - 0.155	610-0035 WT./R/kg/M 0.315 - 0.395

All dimensions are in mm.

Cat 2022-R1

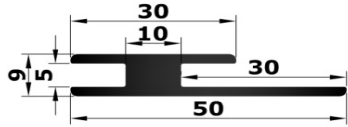
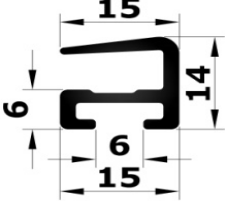
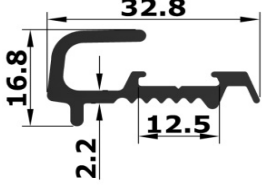
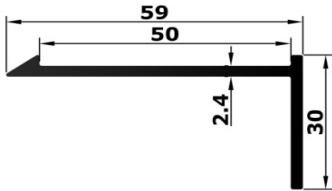
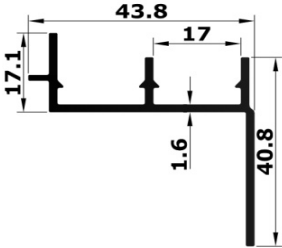
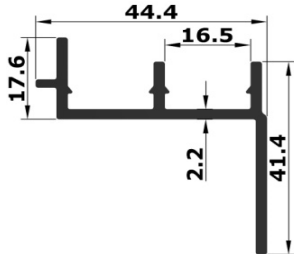
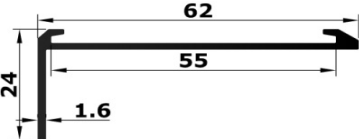

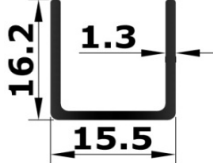

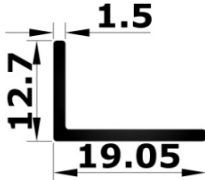
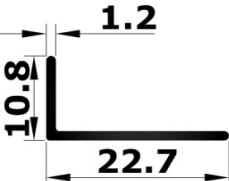
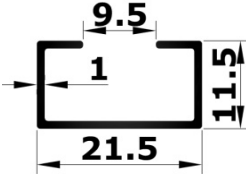
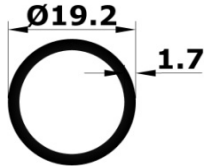
## TRANSPORT WINDOW

		
610-0036 WT./R/kg/M 0.360 - 0.430	610-0037 WT./R/kg/M 0.150 - 0.165	610-0038 WT./R/kg/M 1.220 - 1.390
		
610-0039 WT./R/kg/M 0.420 - 0.460	610-0040 WT./R/kg/M 1.040 - 1.180	610-0041 WT./R/kg/M 0.200 - 0.240
		
610-0042 WT./R/kg/M 0.130 - 0.160	610-0043 WT./R/kg/M 0.095 - 0.120	610-0044 WT./R/kg/M 0.240 - 0.280
		
610-0045 WT./R/kg/M 0.760 - 0.880	610-0046 WT./R/kg/M 0.360 - 0.400	610-0047 WT./R/kg/M 0.550 - 0.630
		
610-0048 WT./R/kg/M 0.380 - 0.440	610-0049 WT./R/kg/M 0.415 - 0.465	610-0050 WT./R/kg/M 0.240 - 0.270

All dimensions are in mm.

Cat 2022-R1

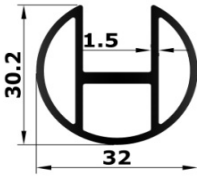

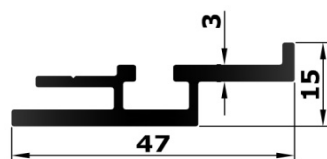

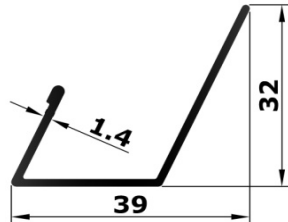
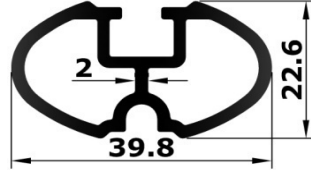
## TRANSPORT WINDOW

		
610-0051 WT./R/kg/M 0.540 - 0.600	610-0052 WT./R/kg/M 0.214 - 0.250	610-0053 WT./R/kg/M 0.360 - 0.410
		
610-0054 WT./R/kg/M 0.545 - 0.610	610-0055 WT./R/kg/M 0.490-0.520	610-0056 WT./R/kg/M 0.640-0.700
		
610-0057 WT./R/kg/M 0.335-0.425	610-0058 WT./R/kg/M 0.195-0.230	610-0059 WT./R/kg/M 0.135-0.170
		
WT./R/kg/M	110-0144 WT./R/kg/M 0.200 - 0.230	170-0004 WT./R/kg/M 0.110 - 0.140
		
170-0005 WT./R/kg/M 0.095 - 0.120	240-0014 WT./R/kg/M 0.115 - 0.170	300-0053 WT./R/kg/M 0.220 - 0.275

All dimensions are in mm.

Cat 2022-R1

## TRANSPORT WINDOW

								
610-0060	WT./R/kg/M	0.565-0.700	610-0061	WT./R/kg/M	0.440-0.530	610-0062	WT./R/kg/M	0.540-0.620
								
610-0063	WT./R/kg/M	0.320-0.385	610-0064	WT./R/kg/M	0.245-0.320	610-0065	WT./R/kg/M	0.620-0.740

# TRANSPORT



## TRANSPORT MAZDA

610-0011	WT./R/kg/M	0.480 - 0.580	610-0017	WT./R/kg/M	0.500 - 0.570	610-0047	WT./R/kg/M	0.550 - 0.630
610-0055	WT./R/kg/M	0.490-0.520	610-0056	WT./R/kg/M	0.640-0.700			

All dimensions are in mm.

Cat 2022-R1